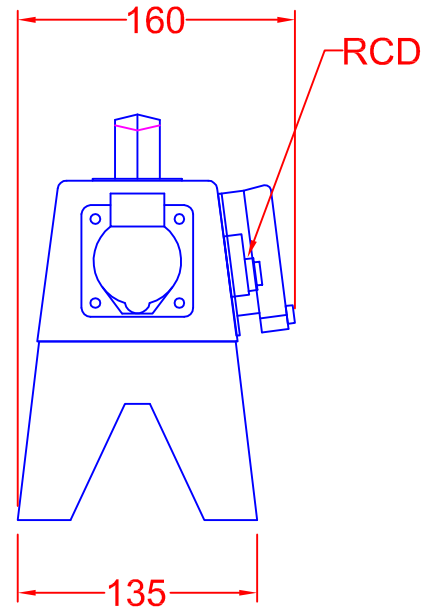
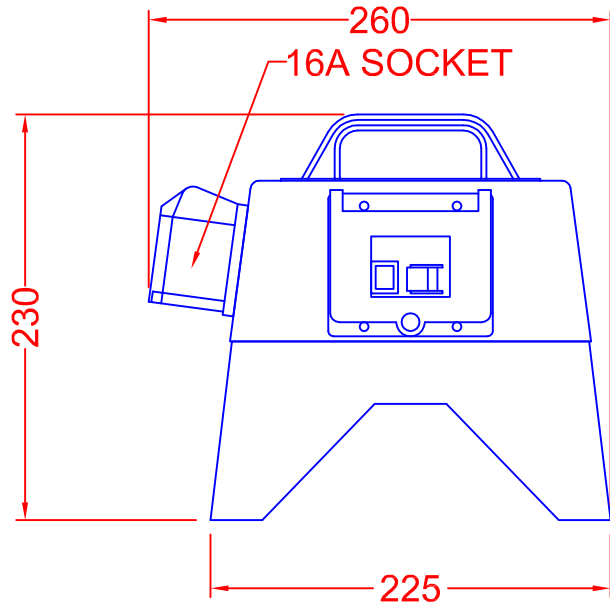


TOLERANCES (UNLESS SPECIFIED)	
0-10mm	±0.2mm
10.1-50mm	±0.5mm
50.1-250mm	±1.0mm
>250mm	±2.0mm



SPLITTER BOX
VOLTAGE 230V
INPUT PLUG 13A BS1363
OUTPUT SOCKETS 16A BS EN 60309
RATED IP44
RCD 25A /30mA
ENCLOSURE GRP
RATED IP55
COLOUR BLUE TOP
 GREY BASE

REV	
4	
3	
2	
1	

CARROLL & MEYNELL
 TRANSFORMERS LIMITED
 TEL: 01642 617406 FAX: 01642 614178
 enquiries@carroll-meynell.com

TITLE
 SPLITTER BOX
 EOU1-ELCB
 ALL DIMENSIONS IN mm

DRAWN	PROJECTION	DATE	SCALE
SH		26/4/8	NTS
DRAW No	REV	PAGE	
6106	0	1/1	