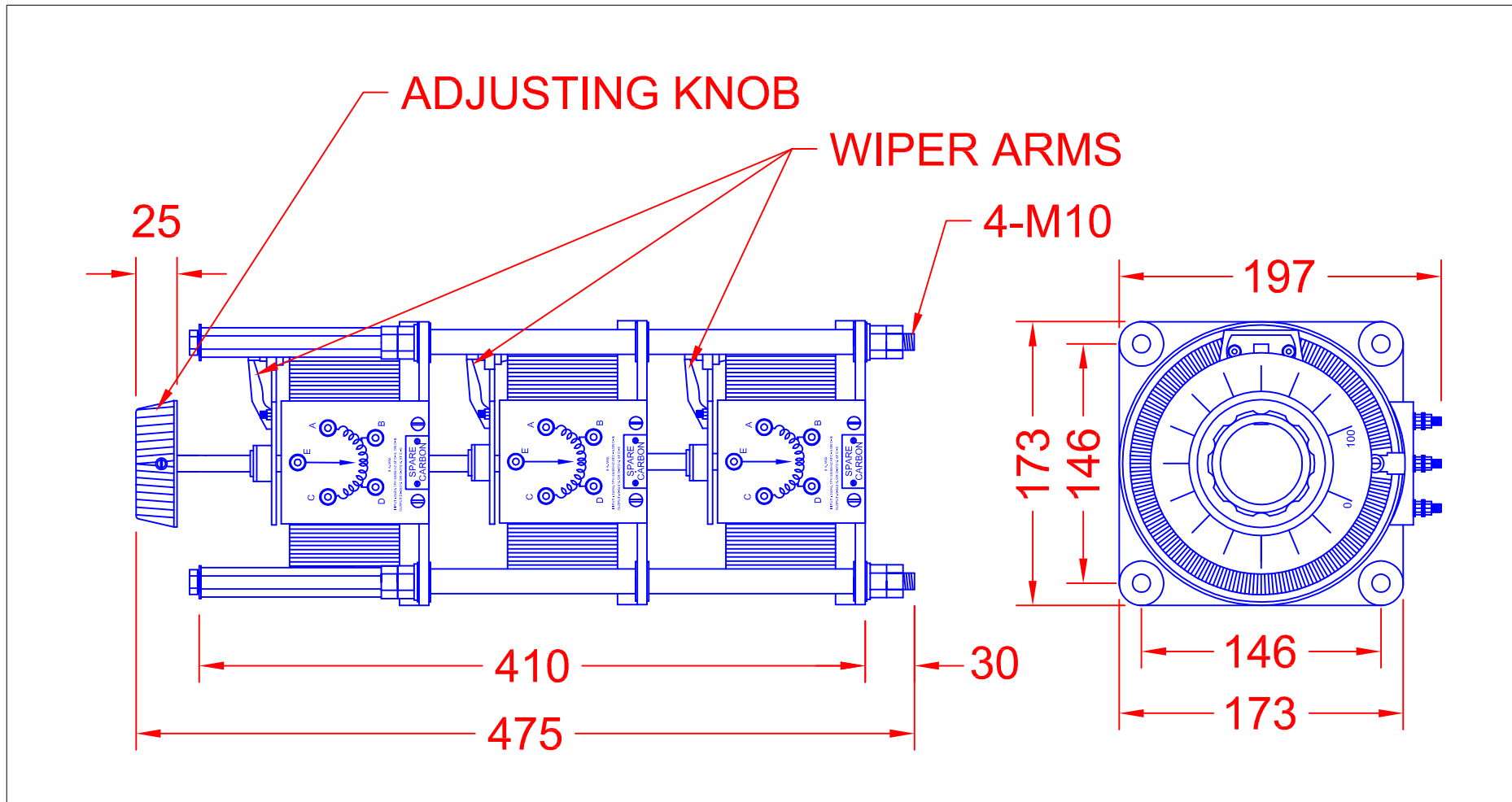


| TOLERANCES (UNLESS SPECIFIED) | |
|----------------------------------|--------|
| 0-10mm | ±0.2mm |
| 10.1-50mm | ±0.5mm |
| 50.1-250mm | ±1.0mm |
| >250mm | ±2.0mm |



VARIAC

MODEL CMV5F-3
 INPUT 415V
 OUTPUT 1 0-100%
 OUTPUT 2 0-112%
 RATED 5 AMPS

TERMINATIONS M4 STUDS

- A LIVE I/P FOR 100% O/P
- B LIVE I/P FOR 112% O/P
- C NEUTRAL I/P AND O/P
- D CENTRE TAP (FOR BUCK-BOOST)
- E LIVE O/P (VARIABLE)

| | | |
|-----|---|--|
| REV | 4 | |
| | 3 | |
| | 2 | |
| | 1 | |

CARROLL & MEYNELL
 TRANSFORMERS LIMITED
 TEL: 01642 617406 FAX: 01642 614178
 enquiries@carroll-meynell.com

TITLE
 3PH VARIAC
 CMV8F-3
 ALL DIMENSIONS IN mm

| | | | |
|-----------------|----------------|----------------|--------------|
| DRAWN SH | PROJECTION | DATE 25/5/8 | SCALE NTS |
| DRAW No 6093 | | REV 0 | PAGE 1/1 |