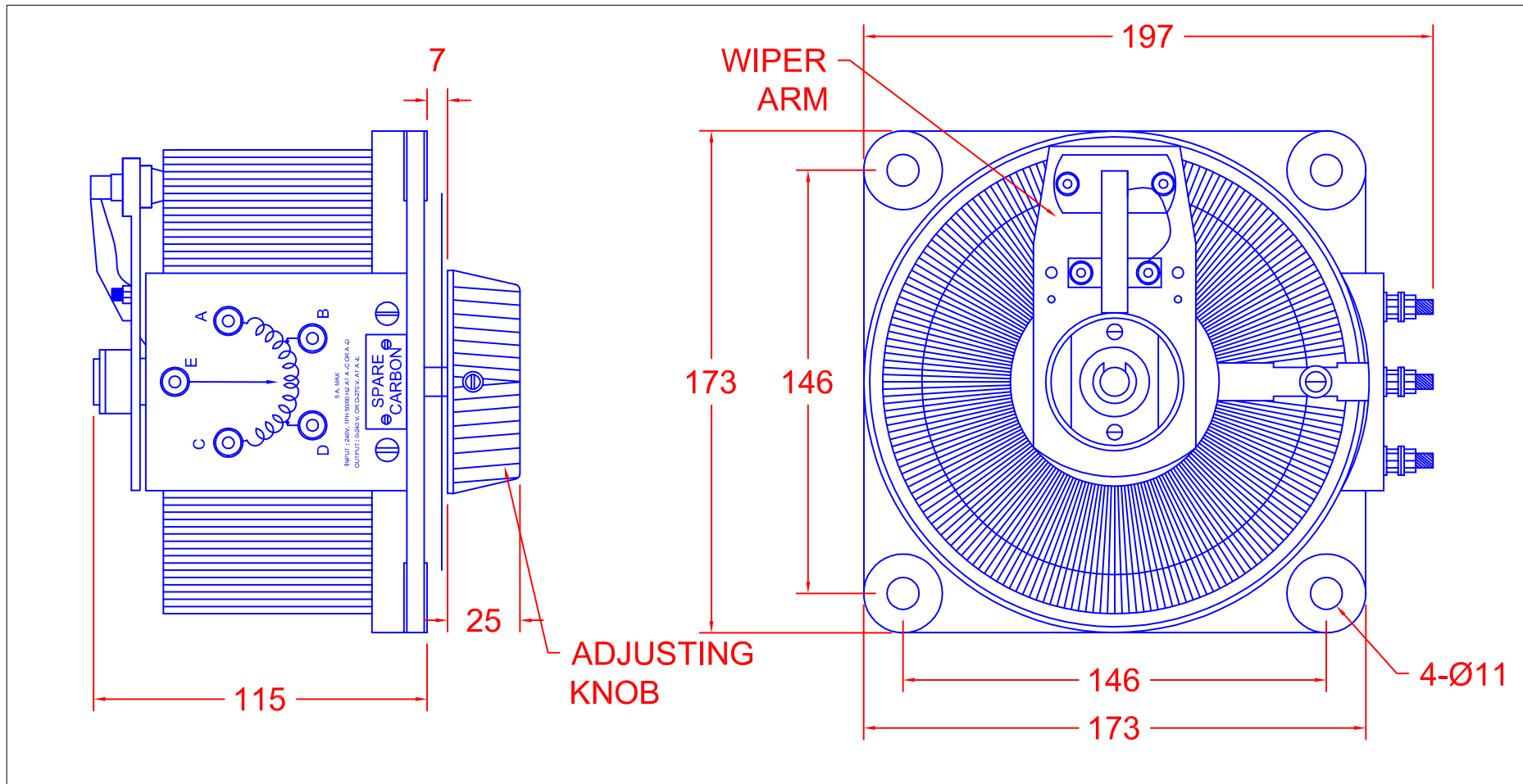


| TOLERANCES<br>(UNLESS SPECIFIED) |        |
|----------------------------------|--------|
| 0-10mm                           | ±0.2mm |
| 10.1-50mm                        | ±0.5mm |
| 50.1-250mm                       | ±1.0mm |
| >250mm                           | ±2.0mm |



**VARIAC**

MODEL CMV5E-1  
 INPUT 240V  
 OUTPUT 1 0-100%  
 OUTPUT 2 0-112%  
 RATED 5 AMPS

**TERMINATIONS M4 STUDS**

- A NEUTRAL I/P AND O/P
- B CENTRE TAP (FOR BUCK-BOOST)
- C LIVE I/P FOR 100% O/P
- D LIVE I/P FOR 112% O/P
- E LIVE O/P (VARIABLE)

| REV |  |
|-----|--|
| 4   |  |
| 3   |  |
| 2   |  |
| 1   |  |

**CARROLL & MEYNELL**  
 TRANSFORMERS LIMITED  
 TEL: 01642 617406 FAX: 01642 614178  
 enquiries@carroll-meynell.com

TITLE  
**SPH VARIAC  
 CMV5F-1**  
 ALL DIMENSIONS IN mm

| DRAWN   | PROJECTION | DATE   | SCALE |
|---------|------------|--------|-------|
| SH      |            | 29/4/8 | NTS   |
| DRAW No | REV        | PAGE   |       |
| 6065    | 0          | 1/1    |       |