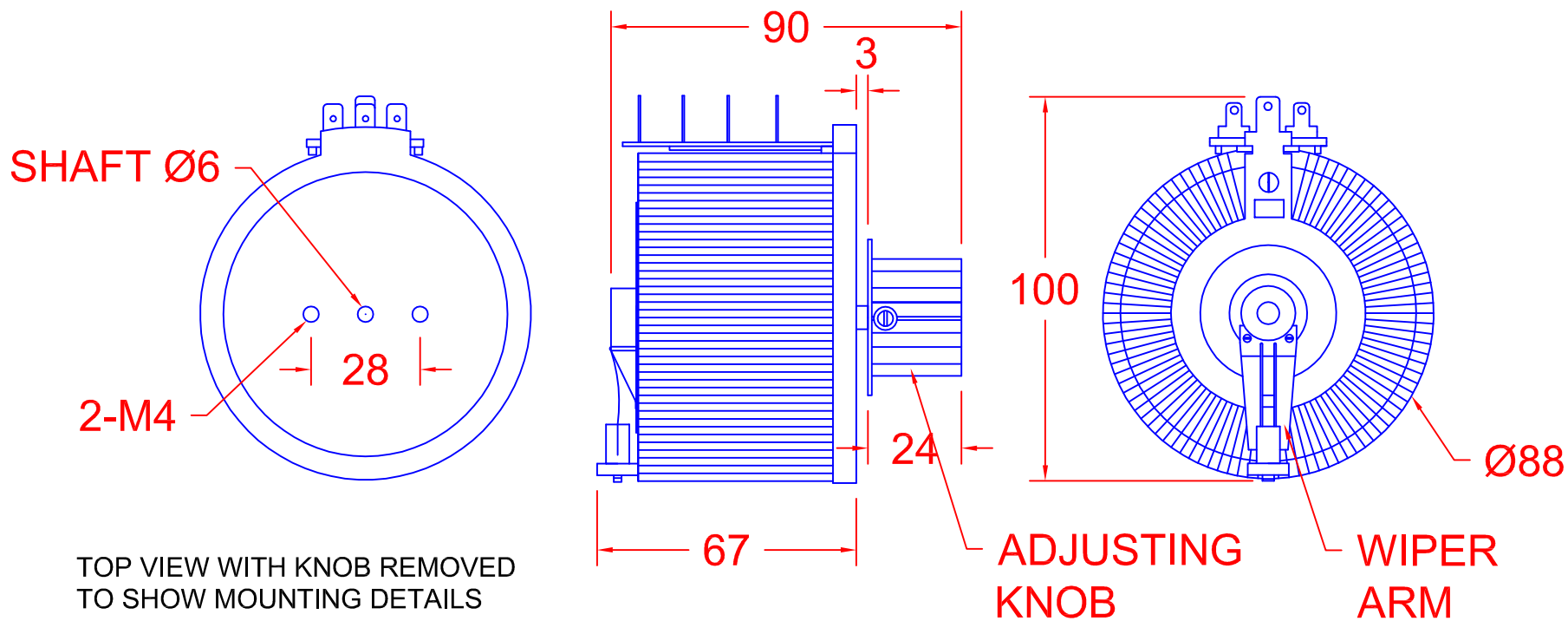


TOLERANCES (UNLESS SPECIFIED)	
0-10mm	±0.2mm
10.1-50mm	±0.5mm
50.1-250mm	±1.0mm
>250mm	±2.0mm



VARIAC

MODEL CMV0.7E-1
 INPUT 240V
 OUTPUT 1 0-100%
 OUTPUT 2 0-112%
 RATED 0.7 AMPS

TERMINATIONS ¼" TABS

- 1 NEUTRAL I/P AND O/P
- 2 LIVE I/P FOR 100% O/P
- 3 LIVE O/P (VARIABLE)
- 4 LIVE I/P FOR 112% O/P

REV	4	
	3	
	2	
	1	

CARROLL & MEYNELL
 TRANSFORMERS LIMITED
 TEL: 01642 617406 FAX: 01642 614178
 enquiries@carroll-meynell.com

TITLE
 SPH VARIAC
 CMV0.7F-1
 ALL DIMENSIONS IN mm

DRAWN SH	PROJECTION 	DATE 30/4/8	SCALE NTS
DRAW No 6060	REV 0	PAGE 1/1	