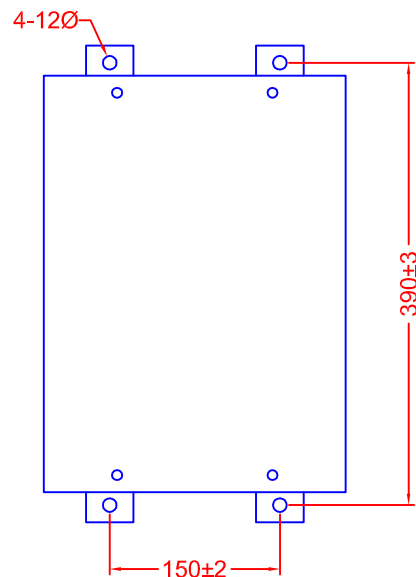
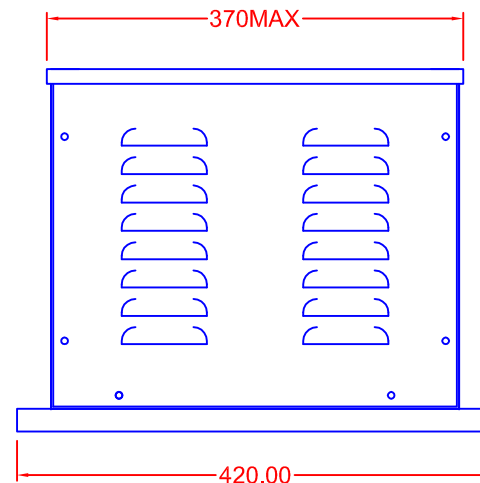
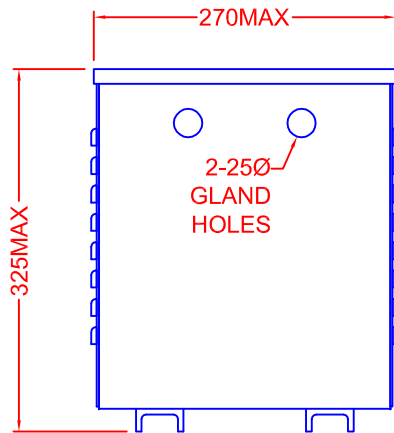


TOLERANCES (UNLESS SPECIFIED)	
0-10mm	±0.2mm
10.1-50mm	±0.5mm
50.1-250mm	±1.0mm
>250mm	±2.0mm



**FLOOR MOUNTING TRANSFORMER**  
**TYPE:** ISOLATION TRANSFORMER  
**INPUT:** 400V 50Hz  
**OUTPUT:** 55-0-55V  
**RATING:** 5KVA CONTINUOUS  
**ENCLOSURE:** MILD STEEL  
**COLOUR:** RAL 7032

**CENTER TAP EARTHED**

REV	
4	
3	
2	
1	

**CARROLL & MEYNELL**  
 TRANSFORMERS LIMITED  
 TEL: 01642 617406 FAX: 01642 614178  
 enquiries@carroll-meynell.com

TITLE **FLOOR MOUNTING  
 TRANSFORMER  
 CM5000/FM0/400**  
 ALL DIMENSIONS IN mm

DRAWN	PROJECTION	DATE	SCALE
SH		26/4/8	NTS
DRAW No	REV	PAGE	
3287	0	1/1	