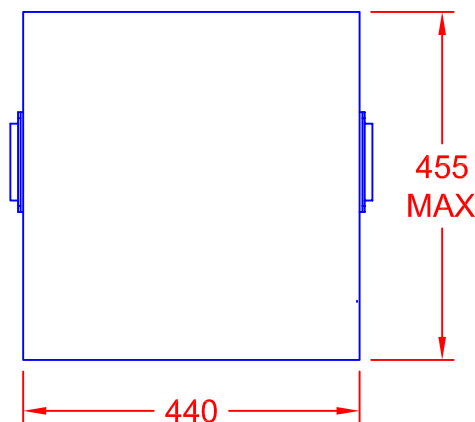
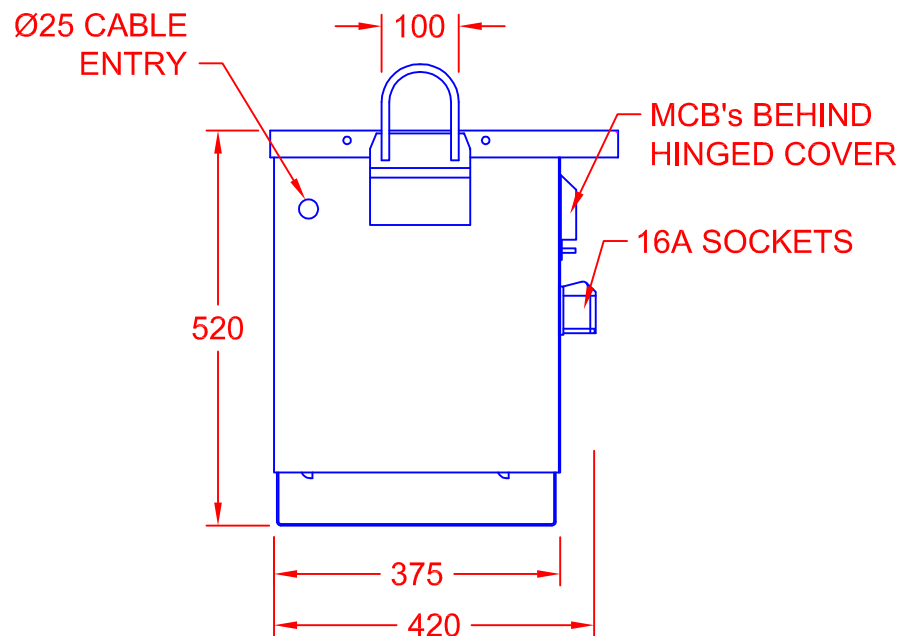
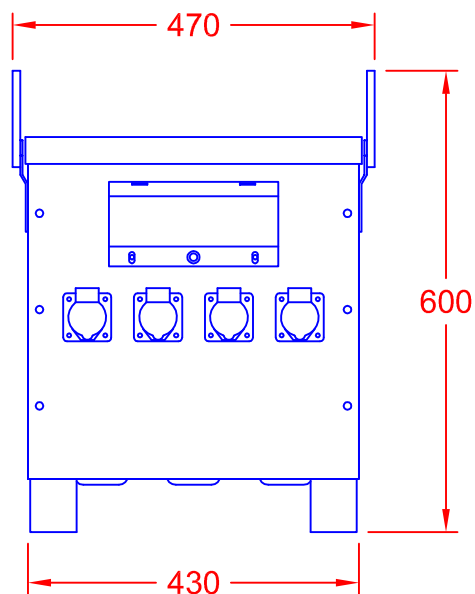


TOLERANCES (UNLESS SPECIFIED)	
0-10mm	±0.2mm
10.1-50mm	±0.5mm
50.1-250mm	±1.0mm
>250mm	±2.0mm



**SITE BOX ISOLATION TRANSFORMER**

TYPE SINGLE PHASE  
 MODEL CM5K/14  
 INPUT 230V, 50Hz  
 OUTPUT 55V-0-55V  
 CENTRE TAP EARTHED

RATING 5kVA CONTINUOUS  
 SOCKETS 4 OFF 16A (BS EN 60309)  
 PROTECTION  
 INPUT 2 POLE 20A  
 OUTPUT 2 OFF 2 POLE 20A  
 ENCLOSURE MILD STEEL  
 RATED IP23  
 COLOUR YELLOW

REV	4	3	2	1

**CARROLL & MEYNELL**  
 TRANSFORMERS LIMITED  
 TEL: 01642 617406 FAX: 01642 614178  
 enquiries@carroll-meynell.com

TITLE  
**SITE BOX SUPPLY**  
**CM15K/4**

ALL DIMENSIONS IN mm

DRAWN	PROJECTION	DATE	SCALE
SH		12/5/8	NTS
DRAW No	REV	PAGE	
3281	0	1/1	