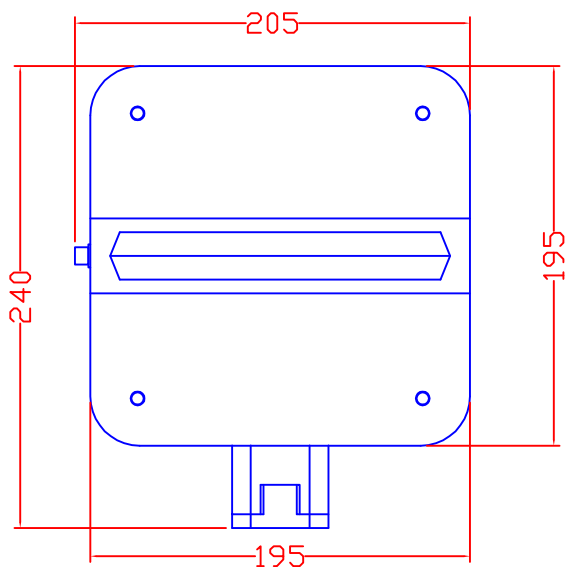
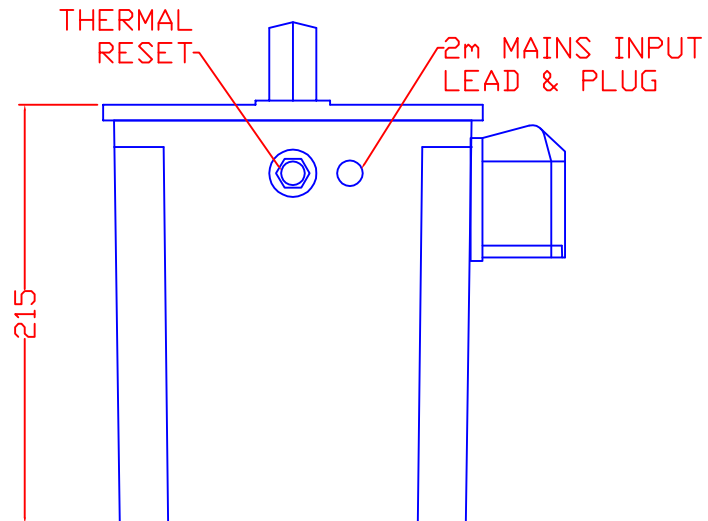
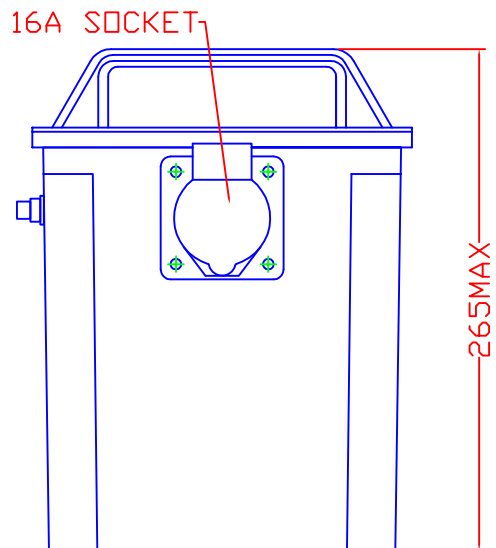


TOLERANCES (UNLESS SPECIFIED)	
0-10mm	±0.2mm
10.1-50mm	±0.5mm
50.1-250mm	±1.0mm
>250mm	±2.0mm



PORTABLE TOOLS TRANSFORMER

TYPE: ISOLATION

INPUT: 240V 50Hz

OUTPUT: 55-0-55V
CENTER TAP EARTHED

RATING: 2.25KVA INTERMITTENT
5MINS ON 15MINS OFF

THERMAL CUT-OUT: 8A

OUTPUT SOCKET: 16A BS EN 60309
RATED IP44

INPUT PLUG: 13A BS1363

ENCLOSURE: GRP
RATED IP55

COLOUR: YELLOW

REV	DESCRIPTION
4	
3	
2	
1	

CARROLL & MEYNELL
 TRANSFORMERS LIMITED
 TEL: 01642 617406 FAX: 01642
 614178enquiries@carroll-meynell.com

TITLE
 PORTABLE TOOL
 TRANSFORMER CM22501

ALL DIMENSIONS IN mm

DRAWN	PROJECTION	DATE	SCALE
SH		26/4/8	NTS
DRAW No	REV	PAGE	
3258	0	1/1	